



Traverse®

60" x 30" AFD bath/shower
71570112



Features

- Tongue-and-groove modular design allows for easy installation during any phase of construction.
- Modern subway tile design.
- Full-length shelf provides generous storage.
- Easy-to-clean, durable high-gloss finish.

Material

- Compression molded from our exclusive solid Vikrell® material.

Installation

- Pro4™ installation system features a two-piece back wall design, enabling one-person handling and installation.
- Alcove.
- Caulk-free installation.
- Above-floor drain (AFD) rough-in.
- Left drain.

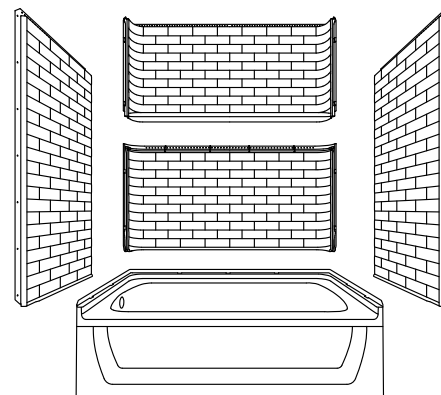
Recommended Products/Accessories

- K-23726 Drain treatment
- K-23733 Vikrell® cleaner

Included Components

Product consists of:

- 71171112 60" x 30" AFD bath w/ integral apron
- 71574100 60" x 30" bath wall set



Codes/Standards



- CSA B45.5/IAPMO Z124
- ASTM E162
- ASTM E662
- HUD, UM Bulletin 73

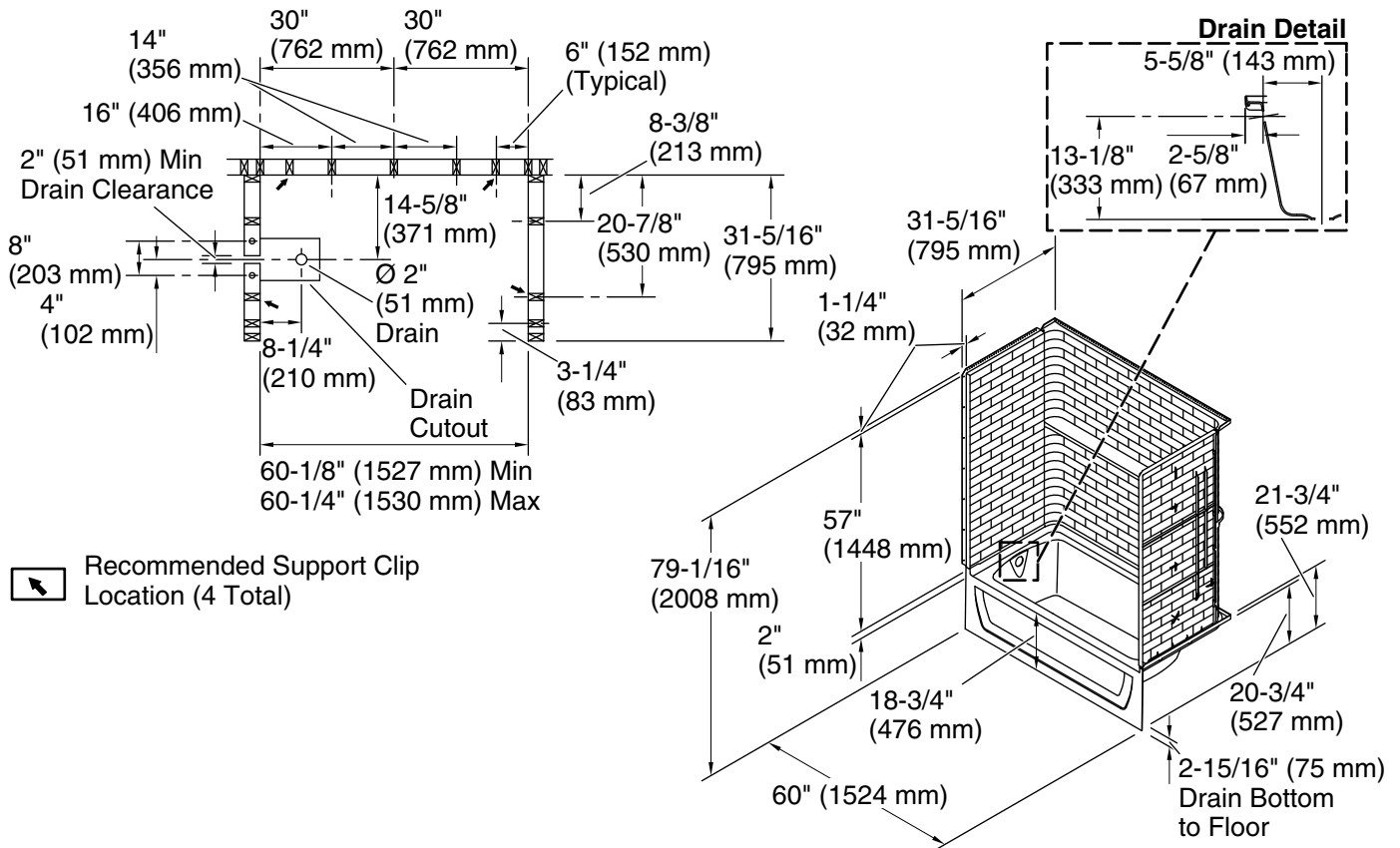
STERLING® Vikrell® or Acrylic Baths and Shower Bases Ten-Year Limited Warranty

See website for detailed warranty information.

Available Colors/Finishes

Color tiles intended for reference only.

Color	Code	Description
	0	White
	96	KOHLER Biscuit



Technical Information

All product dimensions are nominal.

Installation: Three-wall alcove
 Maximum door height: 58-3/4" (1492 mm)
 Maximum door width: 57-5/8" (1464 mm)

Notes

Install this product according to the installation instructions.
 Studs should be positioned roughly as shown.